

RATCHET JACKS



RJ Series 4,5 - 18,1 Tonnes



Models: RJ84A, RJ85A, RJ1017 & RJ86A



A Model RJA1022 is used to lift an on-site rock crusher for maintenance. Its large lifting and holding capacity, low toe height and heavy-duty housing, makes the RJ Series Jacks universal tools on any jobsite.

FEATURES

- ✓ Multiple-tooth pawls for strength & safety.
- ✓ Large base ensures a firm foundation.
- ✓ Supports full rated capacity on the toe or the cap.
- ✓ Drop-forged, alloy steel, heat-treated components.
- ✓ Plated springs to resist corrosion.
- ✓ Double-lever sockets for jacking in close quarters.



RJA1022

RJ22B

RJ24A

RJ2029

The RJA1538 jack is designed for pole pulling applications. Chain and I-Beam are ordered separately.



RJA1538 Pole Jack



CHA1538 Alloy Chain



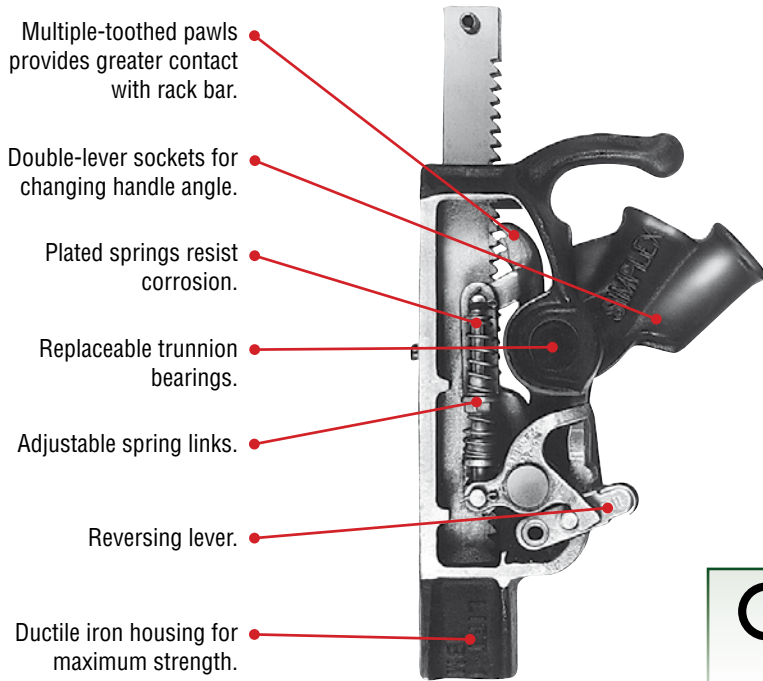
IB1538 I-Beam



LIGHTWEIGHT RATCHET JACKS

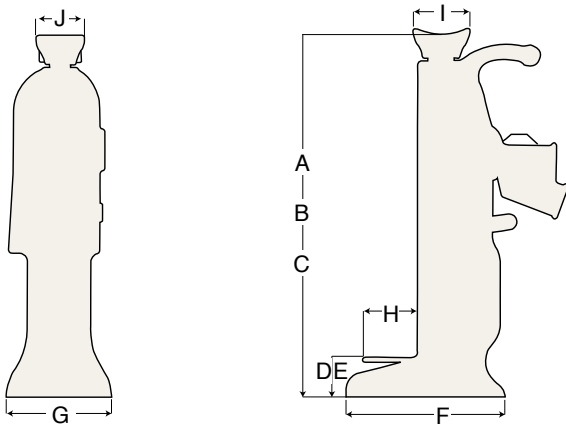
Lightweight aluminum models are silver in color and offer a 30% reduction in weight.

Model	Jack Housing Material	Support Capacity (tonnes)	Lifting Capacity (tonnes)	Handle Effort per Tonne (N)
RJ84A	Steel	4,5	4,5	44
RJ85A				44
RJ86A				44
RJ1017		9,1	9,1	54
RJ22B				30
RJ24A		18,1	13,6	44
RJ2029				36
RJA1022	Aluminum	9,1	9,1	40
RJA1538		13,6	7,3	57



CE COMPLIANT

Our Jack design specifications meet or exceed ANSI /ASME B30.1 Safety Standards.



RECOMMENDED LEVER BAR LENGTHS

Please refer to page 17 for additional details.

Model	Tonnes		Length (mm)	Diameter (mm)
	Support	Lift		
SLB36	4,5	4,5	914	25
SLB60	9,1	9,1	1524	32
SLB70	13,6	7,3	1829	32
SLB70	18,1	13,6	1829	32

Dimensions (mm)										Weight (kg)	Model
A	B	C	D	E	F	G	H	I	J		
Minimum Height	Maximum Height	Stroke	Toe Minimum Height	Toe Maximum Height	Base Length	Base Width	Toe Length	Cap Length	Cap Width		
356	533	178	45	223	187	127	64	67	59	13	RJ84A
432	685	254	45	299	187	127	64	67	59	14	RJ85A
508	838	330	45	375	187	127	64	67	59	16	RJ86A
439	679	241	42	283	222	152	61	73	67	18	RJ1017
550	854	305	51	356	260	165	61	76	64	32	RJ22B
591	914	324	58	381	260	203	67	89	73	42	RJ24A
712	1168	457	58	514	279	203	67	89	73	47	RJ2029
550	854	305	51	356	260	165	61	76	64	19	RJA1022
956	1502	540	----	546	207	210	----	----	----	28	RJA1538

REEL JACKS

CR, CRA Series 4,5 - 18,1 Tonnes



Models: CR321B



The CRA1029R and CRA1029L Reel Jacks can easily handle large reels. The large wooden bases and low handle efforts enhance safety and reduce operator fatigue.

FEATURES

- ✓ Multiple-tooth pawls for strength & safety.
- ✓ Tough hardwood bases laminated for extra strength.
- ✓ Drop-forged, alloy steel, heat-treated components.
- ✓ Plated springs to resist corrosion.
- ✓ Double-lever sockets for jacking in close quarters.



CR320B



CRA1029R

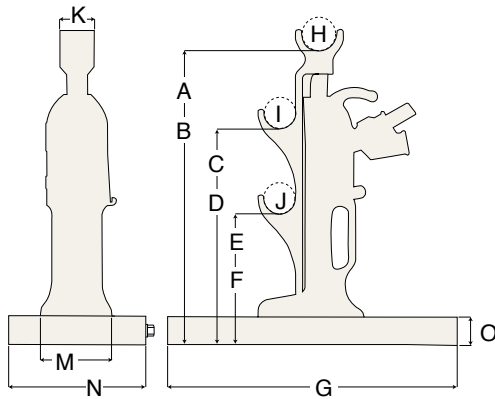


CARRYING HANDLE

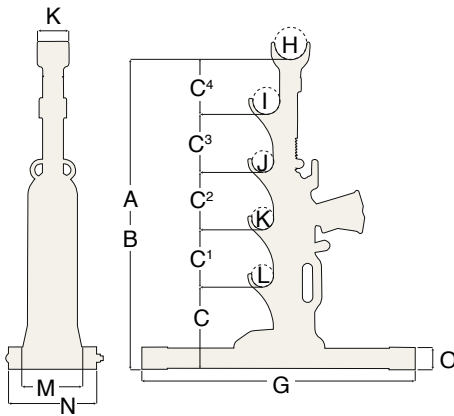
Center mounted carrying handle makes these jacks easy to position and transport.

Model	Capacity / Pair		Handle Effort per Tonnes (N)	Stroke (mm)	Dimensions (mm)						
	Side Hooks (tonnes)	Top Hooks (tonnes)			A	B	C	C ¹	C ²	C ³	C ⁴
					Minimum	Maximum	Minimum				
CR320B	4,5	9,1	142	241	528	768	387	----	----	----	----
CR321B	9,1	18,1	134	356	877	1232	235	397	559	721	883
CRA1029R			134	295	791	1086	632	----	----	----	----
CRA1029L			134	295	791	1086	632	----	----	----	----

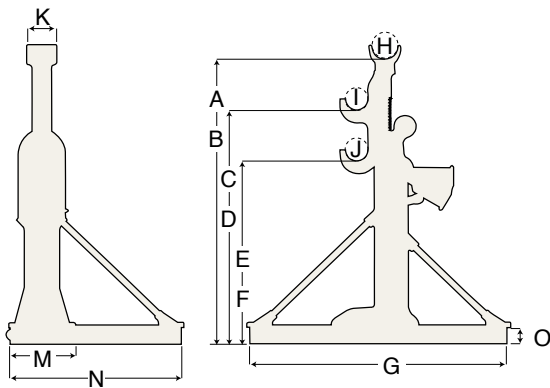
CR320B



CR321B



CRA1029R & CRA1029L



WARNING

Please follow all recommended safety precautions to avoid personal injury or damage to the unit.



CE COMPLIANT

Our Jack design specifications meet or exceed ANSI /ASME B30.1 Safety Standards.



RECOMMENDED LEVER BAR LENGTHS

Please refer to page 17 for additional details.

Model	Tonnes		Length (mm)	Diameter (mm)
	Side Hooks	Top Hooks		
SLB36	4,5	9,1	914	25
SLB60	9,1	18,1	1524	32

Dimensions (mm)												Weight (kg)	Model
D	E	F	G	H	I	J	K	L	M	N	O		
Maximum	Minimum	Maximum	Length	Diameter	Diameter	Diameter	Diameter	Diameter	Length	Width	Height		
629	234	476	518	67	57	57	----	----	127	238	57	23	CR320B
----	----	----	771	79	76	61	61	61	151	248	51	58	CR321B
927	479	774	762	79	67	67	----	----	191	508	57	39	CRA1029R
927	479	774	762	79	67	67	----	----	191	508	57	39	CRA1029L