

# RACK JACKS

CJ Series 1,5 - 10,1 Tonnes



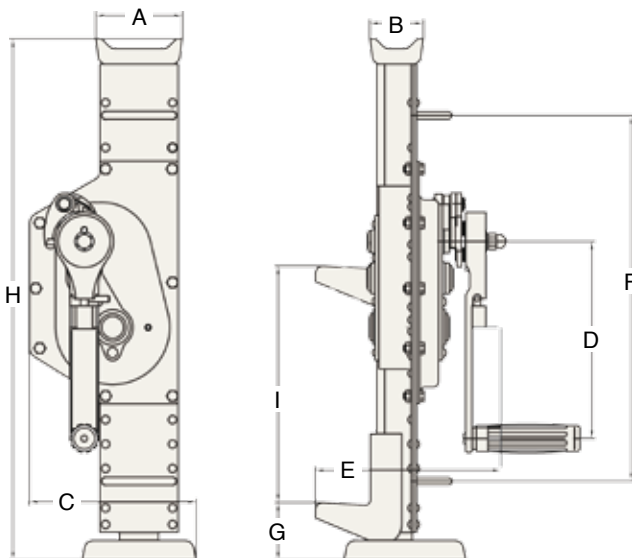
Models: CJ15 & CJ100



A CJ100 is used to position this cargo container for repair. Its solid base provides greater stability and more surface area.

## FEATURES

- ✓ Developed in accordance with the latest safety regulations.
- ✓ Suitable for lifting loads of any type.
- ✓ Safety crank with folding handle.
- ✓ Lifting with either fixed toe or on clawed head.
- ✓ Low expenditure of force through optimal ratio.



### CE & DIN 7355 COMPLIANT

Our Jack design specifications meet or exceed ANSI /ASME B30.1 Safety Standards.



The jack is rated for full capacity at both the head and toe lift points.

Model	Toe Capacity (tonnes)	Head Capacity (tonnes)	Dimensions (mm)									Weight (kg)
			A	B	C	D	E	F	G	H	I	
			Width	Depth	Width	Length	Depth	Length	Height	Minimum Height	Stroke	
CJ15	1,5	1,5	90	50	151	250	202	525	65	725	350	13.5
CJ30	3	3	100	50	204	250	213	525	70	725	350	22
CJ50	5	5	110	68	211	250	236	525	70	725	300	28
CJ100	10	10	140	70	257	300	297	590	80	800	300	46



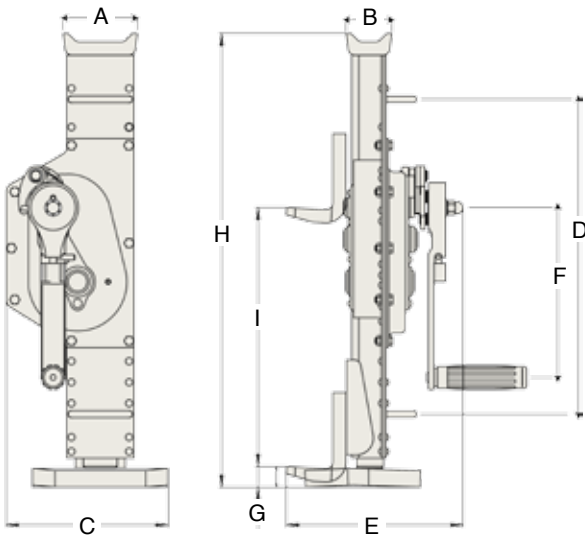
Models: LPC30 & LPC100



The LPC50 is used to lift this slab of Flexcore for cable positioning and placement on a construction site. The head and toe capacity along with its mobility, makes the Rack Jacks ideal for various applications.

## FEATURES

- ✓ Low body height.
- ✓ Milled rack, geared wheels and tempered gears.
- ✓ Suitable for lifting loads of any type.
- ✓ Safety crank with folding handle.
- ✓ Low expenditure of force through optimal ratio.
- ✓ All construction components standardized.
- ✓ Lifting with either fixed toe or on clawed head.



The jack is rated for full capacity at both the head and toe lift points.



### CE COMPLIANT

Our Jack design specifications meet or exceed ANSI /ASME B30.1 Safety Standards.

Model	Toe Capacity (tonnes)	Head Capacity (tonnes)	Dimensions (mm)									Weight (kg)
			A	B	C	D	E	F	G	H	I	
			Width	Depth	Width	Length	Depth	Length	Height	Minimum Height	Stroke	
LPC15	1,5	1,5	90	50	166	525	218	250	30	724	350	16
LPC30	3	3	100	50	217	525	234	250	30	733	350	25
LPC50	5	5	110	68	239	525	260	250	30	730	300	32
LPC100	10	10	140	70	294	590	319	300	35	802	300	55